

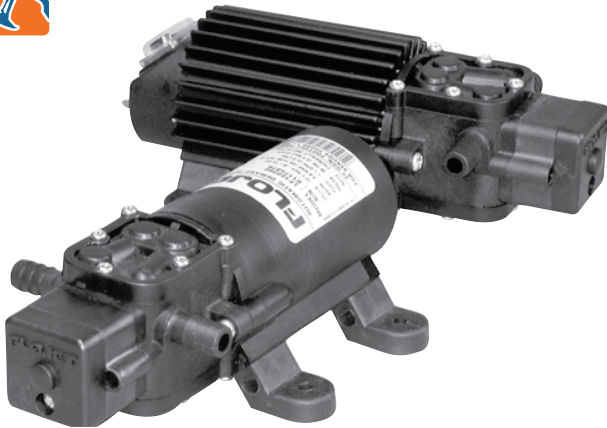


MOTOR DRIVEN



LF SERIES | FOR INTERNATIONAL & US MARKETS

This ultra compact pump uses the duplex diaphragm design to deliver flow and pressure comparable to much larger pumps.



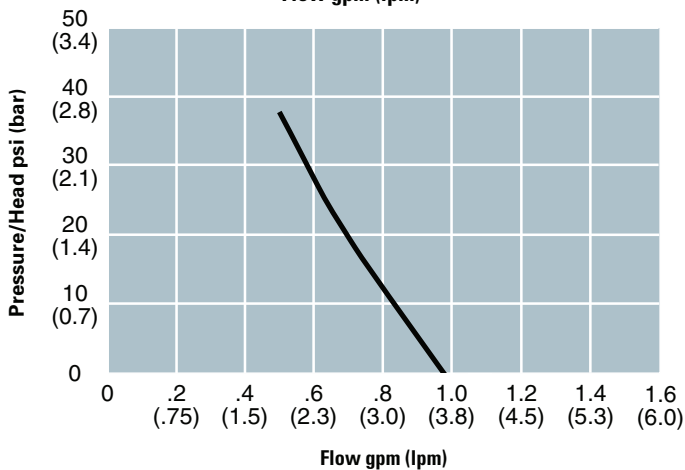
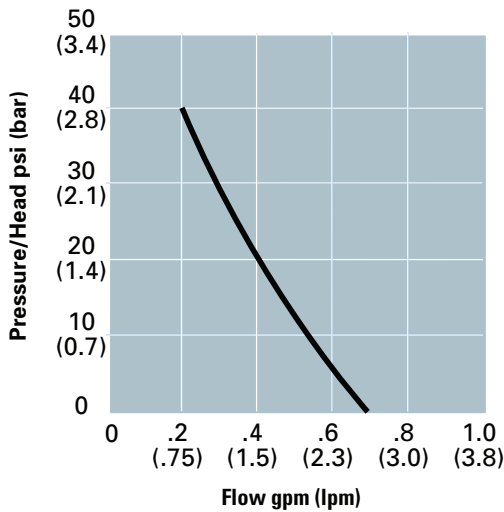
FEATURES

- Sealed pressure switch automatically starts and stops pump when discharge valve opens and closes
- Self-priming so pump can be located above supply tank
- Can run dry for extended periods of time without damage
- Built-in thermal protector
- Low amp draw for battery powered applications

OPTIONAL FEATURES

- Sealed motor with protective metal cooling finned cover
- Integral 5 amp in-line fuse with cover
- Manual on/off switch with protective cap to turn off pump when supply tank is empty

PERFORMANCE



SPECIFICATIONS - LF12 AND LF11 SERIES

Pump Design	Reciprocating Diaphragm
Flow Rate	1.0 GPM (3.8 L/min) Nominal @ Open Flow
Duty Cycle	Intermittent
WETTED PARTS	
Housing	Polypropylene
Diaphragm	Santoprene®
Check Valve	Viton® or EPDM
Check Valve Spring	316 Stainless Steel
Minimum Tip Size	#8 Tip, .072" (1.83 mm) Diameter
Port Type	3/8" (9.5 mm) Hose Barb
Operating Pressure	25 PSI (1.7 bar) Maximum
Pressure Switch Setting	35 PSI (2.4 bar) Off, 25 PSI (1.7 bar) On
Self-Priming	Up to 2.5 ft (.76 m) Vertically
Liquid Temperature	110° F (43° C) Maximum
Motor Type	Permanent Magnet Motor
Motor Voltage	12 V DC, 24VDC, 115VAC
Current	2.5 Amp Nominal @ 25 PSI (1.7 bar)

INST. SHEET #81000-312

LF SERIES | FOR INTERNATIONAL & US MARKETS

MODELS

MODEL #S	CE	SWITCH PSI (BAR)	BYPASS PSI (BAR)	VOLTAGE	DIAPHRAGM	CHECK VALVE	OPEN FLOW GPM (LPM)	COMMENTS
LF112201	RLF112201	35 (2.5)	No	12V	Santoprene	Viton	1.0 (3.8)	Fins, Inline Connector, Inline Fuse, Rocker Switch
LF112421	RLF112421	40 (2.8)	Yes	12V	Santoprene	Viton	1.0 (3.8)	Fins, Inline Connector, Inline Fuse, Rocker Switch
LF121421	RLF121421	40 (2.8)	Yes	12V	Santoprene	Viton	0.7 (2.6)	
LF122002	RLF122002	No	No	12V	Santoprene	EPDM	1.0 (3.8)	
LF122005	No	No	No	12V	Geolast	Viton	1.0 (3.8)	
RLF122205	Yes	35 (2.5)	No	12V	Geolast	Viton	1.0 (3.8)	
LF122201	RLF122201	35 (2.5)	No	12V	Santoprene	Viton	1.0 (3.8)	
LF122202	RLF122202	35 (2.5)	No	12V	Santoprene	EPDM	1.0 (3.8)	
LF122421	RLF122421	40 (2.8)	Yes	12V	Santoprene	Viton	1.0 (3.8)	
LF172201	No	35 (2.5)	No	12V	Santoprene	Viton	1.0 (3.8)	Inline connector
LF182201	No	35 (2.5)	No	12V	Santoprene	Viton	1.0 (3.8)	Inline connector, Rocker Switch
LF221421	RLF221421	40 (2.8)	Yes	24V	Santoprene	Viton	0.7 (2.6)	
LF222005	No	No	No	24V	Geolast	Viton	1.0 (3.8)	
RLF222205	Yes	35 (2.5)	No	24V	Geolast	Viton	1.0 (3.8)	
LF222201	RLF222201	35 (2.5)	No	24V	Santoprene	Viton	1.0 (3.8)	
LF222202	RLF222202	35 (2.5)	No	24V	Santoprene	EPDM	1.0 (3.8)	
LF521401	No	40 (2.8)	No	115 VAC	Santoprene	Viton	0.7 (2.6)	
LF521402	No	40 (2.8)	No	115 VAC	Santoprene	EPDM	0.7 (2.6)	

DIMENSIONAL DRAWING

UNLESS OTHERWISE STATED DIMENSIONS IN [] ARE IN MM.

