

DirectoValve® 2-Way Electrically Operated Solenoid Valves



AA144P-, AA144A-, AA145H-, DirectoValve Control Valves

- Direct acting; large internal flow chamber without pilot hole reduces chance of clogging.
- Stainless steel wetted parts provide additional corrosion resistance.
- Operate on 12 VDC system.
- Maximum pressure of 100 PSI (7 bar).
- Encapsulated solenoid coil can be changed without removing valve from system.
- EPDM diaphragms and seat washers, Viton® optional.
- Continuous flow through bypass connection, with flow to spray line controlled by valve "on-off" action.



AA144P DirectoValve Control Valves

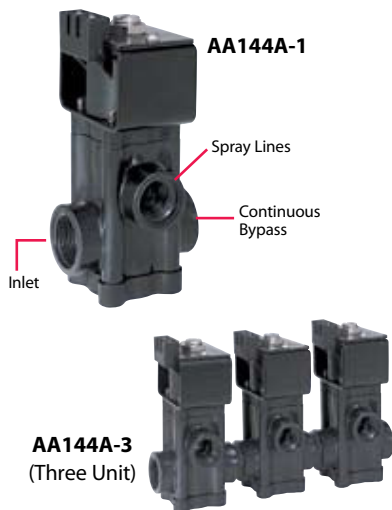
- 10 GPM (37.9 l/min) flow with only 5 PSI (0.34 bar) pressure drop.
- 2.5 amp current draw.
- Polypropylene body for chemical resistance.
- Fabric reinforced Viton diaphragms and seat washers.
- No stroke adjustment required.
- Corrosion resistant, 430SS solenoid grade armature and armature stop.
- Encapsulated coil and magnetic circuit.

How to order:

To order, specify AA144P- then "1", "2" or "3" to indicate number of units.
Example: AA(B)144P-3

MODEL NUMBER	INLET SIZE	OUTLET SIZE	CURRENT DRAW
AA(B)144P-*	3/4"	1/2"	2.5 amp

(B) = BSPT



AA144A Valve for Pressures up to 100 PSI (7 bar)

- 10 GPM (37.9 l/min) flow with only 5 PSI (0.34 bar) pressure drop.
- Can be ganged with other 144A DirectoValve control valves.
- 2.5 amp current draw.
- Polypropylene body for chemical resistance.
- Fabric reinforced diaphragms.
- Also available as 2- or 3-unit assembly.

How to order:

To order, specify AA144A- then "1", "2" or "3" to indicate number of units.
Example: AA(B)144A-3

MODEL NUMBER	INLET SIZE	OUTLET SIZE	CURRENT DRAW
AA(B)144A-*	3/4"	1/2"	2.5 amp

(B) = BSPT



AA145H Control Valves

- For pressures to 100 PSI (7 bar); 15 GPM (56.7 l/min) flow with 5 PSI (0.34 bar) pressure drop.
- Can be ganged with other 145H DirectoValve control valves.
- 2.9 amp current draw.
- Fiberglass reinforced Nylon body.

How to order:

Specify part number.
Example: AA145H-1

MODEL NUMBER	INLET SIZE	OUTLET SIZE	CURRENT DRAW
AA145H-1	1"	1"	2.9 amp



DirectoValve® 3-Way Electrically Operated Solenoid Valves



AA144P-1-3

AA144P-1-3 DirectoValve Control Valves

The 144P-1-3 three-way solenoid-operated DirectoValve control valve was specifically designed to provide bypass control in spraying applications. When used with part number 23520-PP throttling valve or a 4916 metering orifice plate in the bypass line, it can provide for a constant pressure spray system.

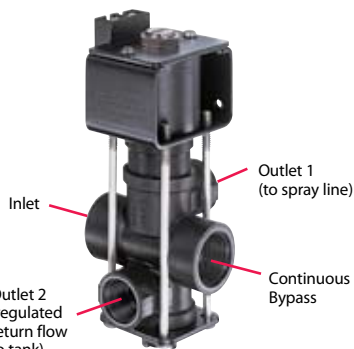
- For pressure to 65 PSI (4.5 bar).
- 5 PSI (0.34 bar) pressure drop with 8 GPM (30 l/min) flow.
- Fabric-reinforced Viton® diaphragms.

- Nylon encapsulated 12 VDC coil with 1/4" Quick Connect terminals.
- Power requirement 2.5 amp.
- Glass-filled polypropylene (black) valve body.
- Internal metal parts are stainless steel.
- No stroke adjustment needed.
- Corrosion resistant, 430SS solenoid grade armature and armature stop.

How to order: Specify part number.

Example: AA(B)144P-1-3

Note: 23520 Throttling Valve not included. See page 104 for more information.



AA144A-1-3

AA144A-1-3 DirectoValve Control Valves

The three-way solenoid-operated DirectoValve control valve bypasses boom flow to maintain constant spraying pressure when one or more boom sections are shut off. To maintain pressure with a 23520 Throttling Valve, Outlet 2 must be throttled to match the total capacity of the nozzles on that boom section.

- For pressures to 65 PSI (4.5 bar).
- 8 GPM (30 l/min) flow at only 5 PSI (0.34 bar) pressure drop.

- 2.5 amp current draw.
- Encapsulated 12 VDC coil can be easily changed without removing valve from line.
- Polypropylene body for chemical resistance.
- Stainless steel internal metal parts.
- Chemical resistant EPDM diaphragms and seat washers.

How to order:

As with the 144A DirectoValve, the 144A-1-3 can be supplied as a 2-unit and 3-unit assembly. When ordering, specify 144A-2-3 or 144A-3-3.

Note: 23520 Throttling Valve not included. See page 104 for more information.



AA144A-3-3
(Three Unit)

AA144P-3-3
(Three Unit)

MODEL NUMBER	NUMBER OF UNITS IN ASSEMBLY	SPRAY LINE CONNECTION	CONTINUOUS FLOW INLET BYPASS CONNECTION
AA(B)144P-1-3	1	1/2"	3/4"
AA(B)144P-2-3	2	1/2"	3/4"
AA(B)144P-3-3	3	1/2"	3/4"
AA(B)144A-1-3	1	1/2"	3/4"
AA(B)144A-2-3	2	1/2"	3/4"
AA(B)144A-3-3	3	1/2"	3/4"

(B) = BSPT



DirectoValve® Solenoid Foam Marker Valves



AA144F-1-3

TeeJet® AA144F-1-3 DirectoValve Solenoid Valve for Foam Markers

The 144F-1-3 three-way operated DirectoValve was designed for use with foam markers. With electrical power off, flow to Outlet 1 is stopped and liquid flows to Outlet 2. With electrical power on, flow to Outlet 2 is stopped and liquid flows to Outlet 1.

Features:

- Operating pressure range of 0–50 PSI (0–3.5 bar).

- Large flow capacities, 5 PSI (0.34 bar) pressure drop with 8 GPM (30 l/min) flow.
- Nylon encapsulated 12 VDC coil with 1/4" Quick Connect terminals.
- Glass filled polypropylene (black) valve body.
- Internal metal parts are made of brass, fasteners are made of stainless steel, other metal parts are zinc-plated.
- Chemical resistant EPDM rubber seat washer and diaphragm.

How to order:

AA144F-1-3