

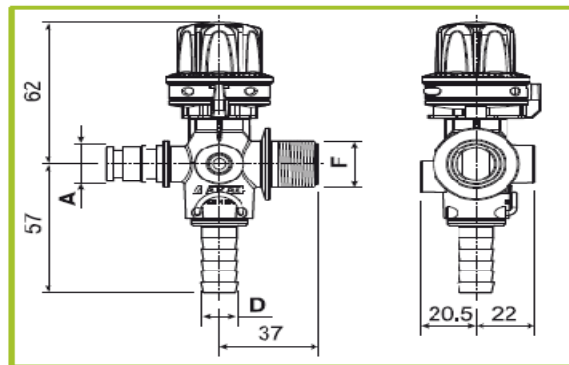
# SPRAYMASTER

## Spray Shop

### Arag Pressure Regulating Valve



- Suits pumps up to 20 lpm – Shurflo, Flojet, Delavan & Fimco
  - Polypropylene body reinforced with fibreglass
  - 1/8" BSP port for pressure gauge fitment
    - EPDM Elastomers
- Internal components are made of DELRIN and 303 grade stainless steel
  - Graduated pressure indicator



COD.	A	F (BSP)	D (mm)
962 0422	G 3/8	G 1/2	13
962 0522	G 1/2		
962 0122	3/8"		
962 0222	1/2"		
962 0922	G 1/2		

**Spraymaster Spray Shop**

Ph 08 9453 1177 Fax 08 9453 1166 Email [kevin@spraymaster.net.au](mailto:kevin@spraymaster.net.au)