

SPECIFICATIONS:

MODEL NUMBER: 8002-793-238

PUMP DESIGN: Positive Displacement 3 Chamber Diaphragm Pump

CHECK VALVE: (1-Way Operation) Prevents Reverse Flow

CAM: 3.0 Degree

MOTOR: Permanent Magnet, P/N 11-111-00

VOLTAGE: 12 VDC Nominal

PRESSURE SWITCH: Adjustable Shut-Off (Range 40-60 PSI)

Factory Set @ 100 PSI, Turn On 85PSI \pm 5 PSI

LIQUID TEMPERATURE: 180 Degrees Fahrenheit (82 Degrees Centigrade) Max.

PRIME: Self-Priming Up To 13 Ft. Vertical,

PORTS: 3/8"-18 NPT Female

MATERIAL OF CONSTRUCTION:

PLASTICS- Nylon

VALVES- EPDM

DIAPHRAGM- Santoprene

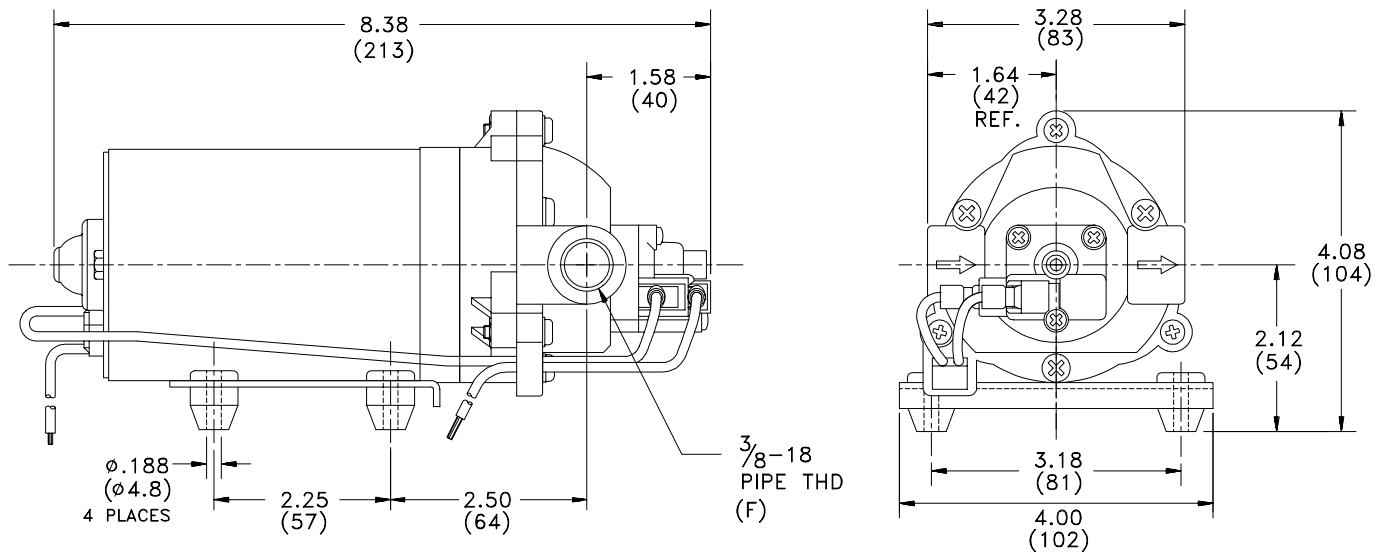
FASTENERS- Zinc Plated Steel

NET WEIGHT: 4.2Lbs (1.9 Kg)

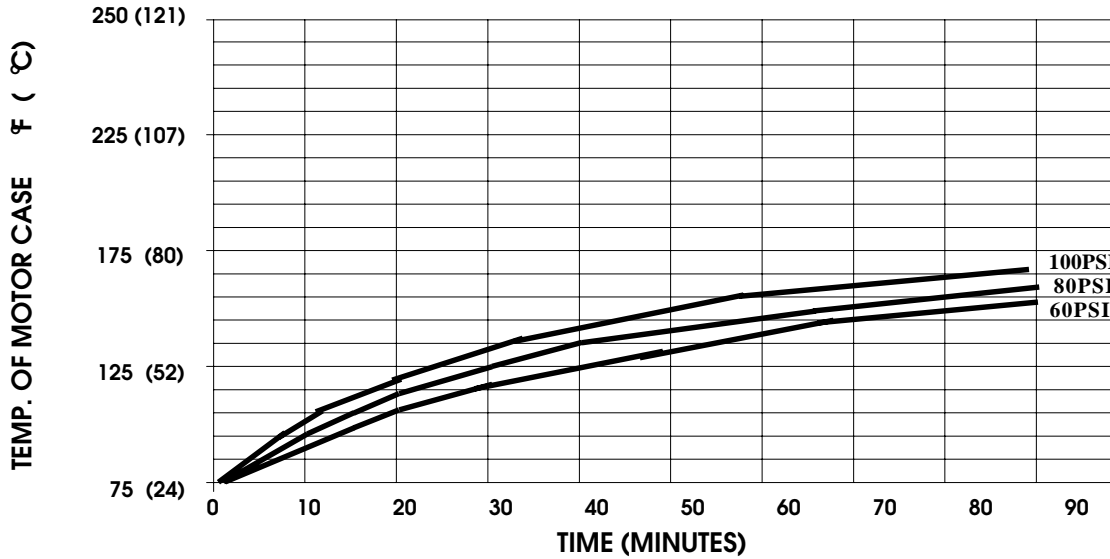
DUTY CYCLE: Intermittent (See Temperature Rise Chart)

TYPICAL APPLICATIONS: Industrial Spraying, Transfer

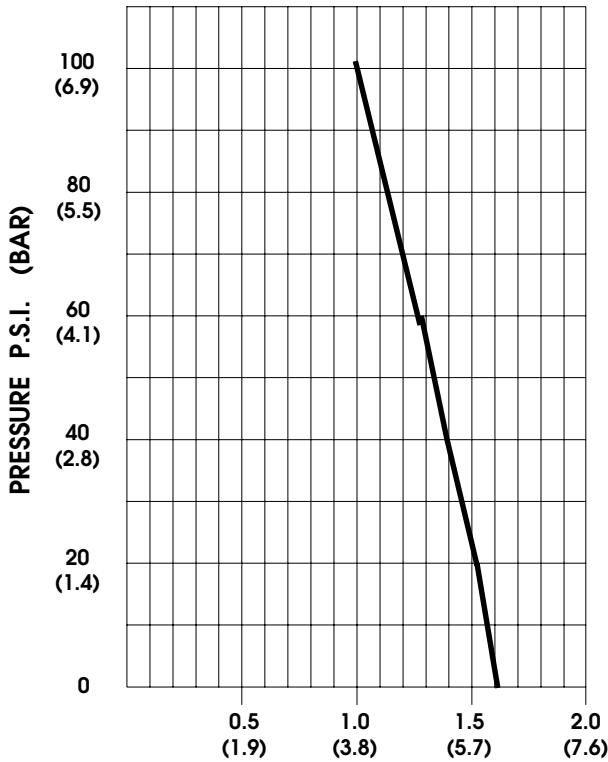
DIMENSIONS:



TEMPERATURE RISE



TYPICAL PERFORMANCE



| PRESSURE (PSI) | FLOW (GPM/LIT) | RPM MIN/MAX | CURRENT (AMPS) | VOLTAGE (VOLTS) |
|----------------|----------------|-------------|----------------|-----------------|
| OPEN | 1.74/6.6 | 2435/2450 | 2.9 | 12VDC |
| 10 | 1.68/6.4 | 2380/2309 | 3.6 | |
| 20 | 1.61/5.8 | 2260/2275 | 4.4 | |
| 30 | 1.53/5.8 | 2260/2275 | 5.1 | |
| 40 | 1.45/5.5 | 2205/2225 | 5.7 | |
| 50 | 1.39/5.3 | 2150/2180 | 6.4 | |
| 60 | 1.35/5.1 | 12105/2130 | 7.0 | |
| 70 | 1.29/4.9 | 2055/2075 | 7.6 | |
| 80 | 1.25/4.7 | 2000/2030 | 8.2 | |
| 90 | 1.20/4.5 | 4945/1975 | 8.8 | |
| 100 | 1.15/4.3 | 1895/1920 | 9.3 | |

FLOW - GALLONS PER MINUTE (LITERS PER MINUTE)

-SPECIFICATIONS SUBJECT TO CHANGE WITHOUT NOTICE.

-ALL DATA BASED ON TESTING WITH WATER AT AMBIENT TEMPERATURE.