

SWISSMEX®

5 & 7 Litre Compression Sprayers



Superior quality, solidly built, heavy duty compression sprayers from Swissmex Rapid in Mexico, are manufactured with high density polyethylene and other chemical resistant materials.

With a wide filling neck, ergonomic shut off gun with integral filter and lock-on facility, 52cm brass lance, poly adjustable cone type nozzle, pressure relief valve, non- absorbent woven polyester shoulder strap and viton elastomers,

they are lightweight, easy to carry and a single session of 40 full strokes provides enough pressure to spray continuously for 10 minutes with a working pressure of 2 - 3.5 bar.

With proper maintenance, Swissmex sprayers will provide years of trouble -free service.

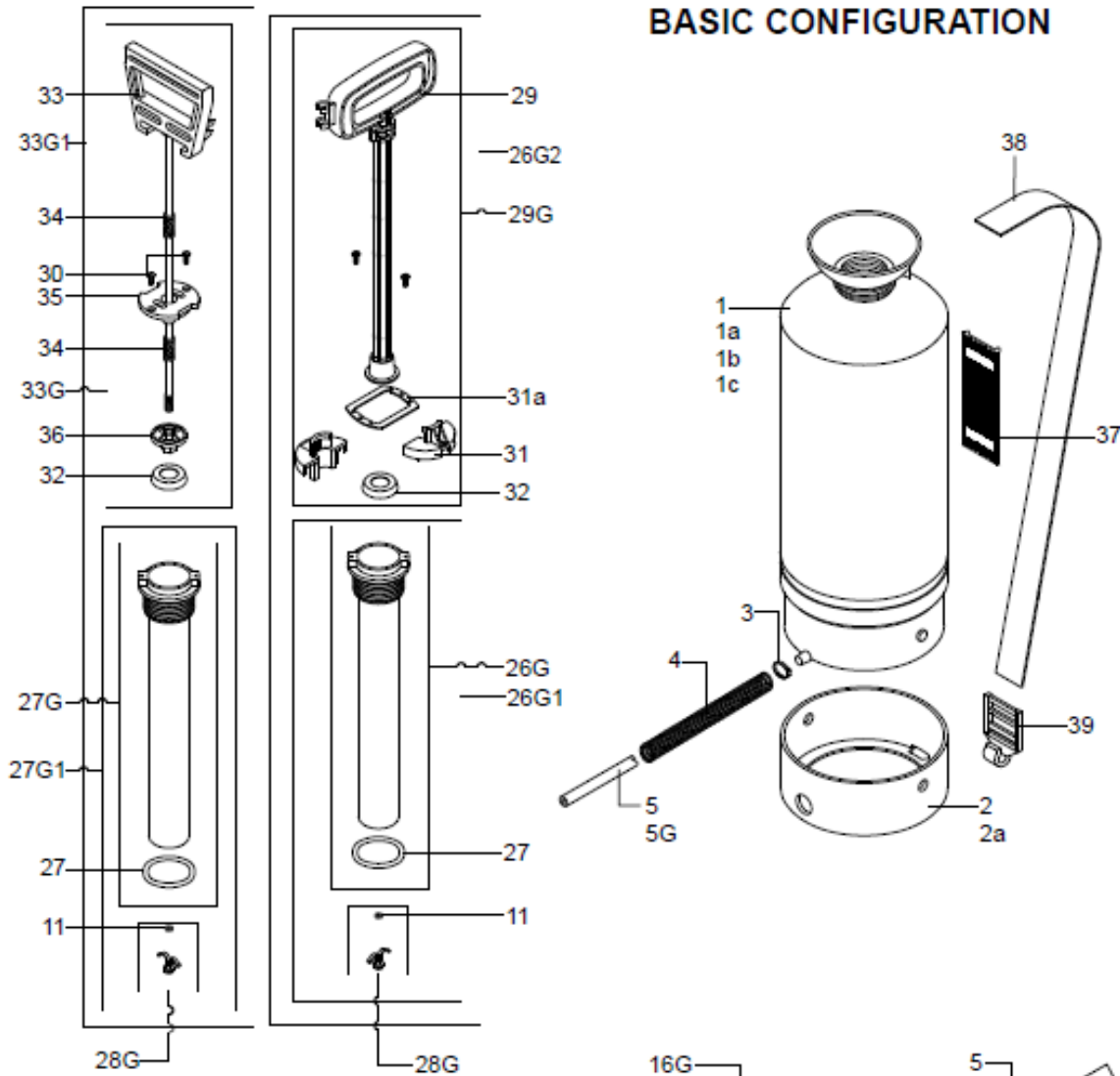


SPRAYMASTER
Spray Shop

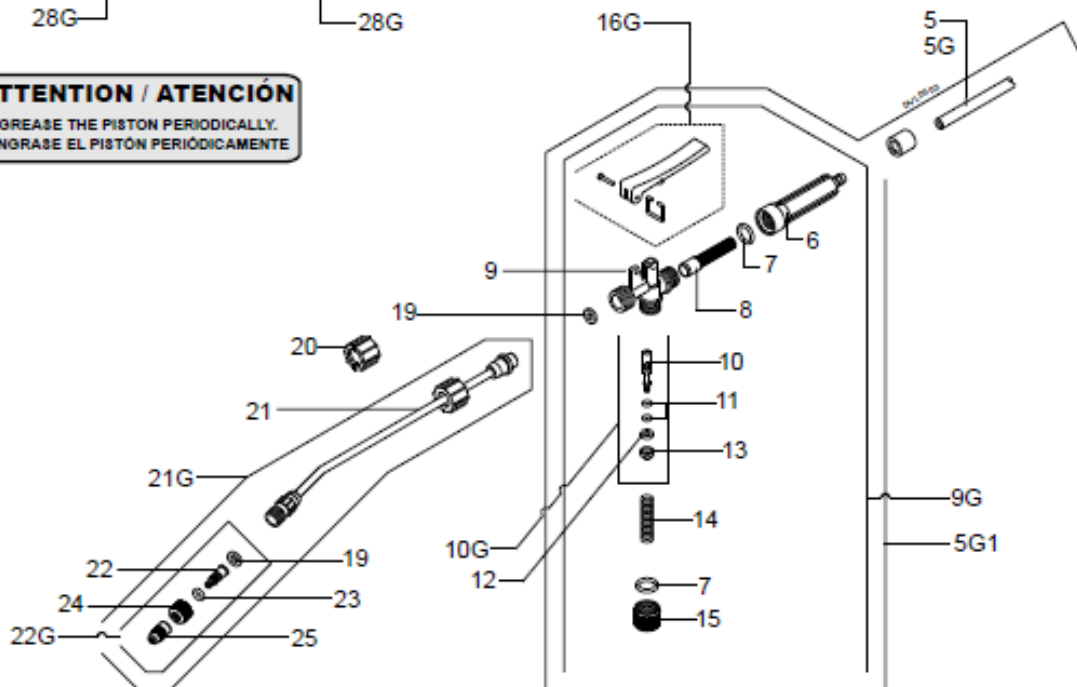
Phone: 08 9353 1177 Fax: 08 9353 1175

Email: info@spraymaster.net.au

BASIC CONFIGURATION



ATTENTION / ATENCIÓN
 GREASE THE PISTON PERIODICALLY.
 ENGRASE EL PISTÓN PERIÓDICAMENTE



SPRAYMASTER
Spray Shop

Phone: 08 9353 1177 Fax: 08 9353 1175

Email: info@spraymaster.net.au

BASIC CONFIGURATION

Part	Code	Description	Part	Code	Description
1	E318-005	White tank without relief valve	22G	E803-262-C	Nozzle body ass'y
1a	E319-305	White tank without relief valve	23	E803-083	O'ring
1b	E320-205	White tank without relief valve	24	E219-211	Nut
1c	E322-505	White tank without relief valve	25	E803-263	Nozzle cap
2	E320-007	Tank base	26G	E318-019-C	Pumping tube with O'ring
2a	E322-007	Tank base	26G1	E318-019-C1	Pumping tube with check valve
3	E501-082	SX 9-18 clamp			
4	E803-233	Spring, hose	26G2	E318-317-C1	Pumping tube & pump handle
5	E803-081	Hose 3/8	27	E120-021	O'ring
5G	E803-081-C	Hose w/clamps	27G	E320-120-C	Pumping tube with O'ring
5G1	E807-065-C1	Hose & valve body 807 S	27G1	E320-120-C1	Pumping tube with check valve
6	E807-075	Filter housing			
7	E803-060	O'ring	28G	E120-022-C	Check valve with O'ring
8	E807-074	Filter insert	29	E318-316	Pump handle
9	E807-173	Valve body 807	29G	E318-316-C	Pump handle ass'y
9G	E807-075-C	Valve body ass'y 807 S.	30	E120-144	Screw
10	E803-166	Plunger	31	E319-341	Sealing cap (2pcs)
10G	E803-067-C	Plunger ass'y	31a	E319-006	Clamp reinforcement
11	E803-068	O'ring - V (2 pcs)	32	E120-029	Piston
12	E803-063	Pin gasket - N	33	E320-016	Pump handle
13	E803-065	Metal support	33G	E320-016-C	Pump handle ass'y
14	E803-067	Plunger spring	33G1	E320-120-C2	Pump handle & pumping tube
15	E803-164	Cap	34	E120-017	Spring, pump handle
16G	E803-072-C	Valve lever ass'y	35	E320-132	Pump cap
19	E803-114	Gasket	36	E120-130	Piston holder 5/16"
20	E803-059	Nut	37	E501-025	Shoulder pad
21	E803-085	Spray lance	38	E501-034	Carrying strap
21G	E803-285-C	Spray lance ass'y	39	E189-036	Strap hook
22	E803-262	Nozzle body	40	E803-400	Spray lance

NOTE:

For practical time-saving accessories, special nozzle tips etc. please refer to spec sheet "OPTIONAL SWISSMEX-RAPID ACCESSORIES".

In the interest of continued technologic progress specifications are subject to change without notice.



SPRAYMASTER
Spray Shop

Phone: 08 9353 1177 Fax: 08 9353 1175

Email: info@spraymaster.net.au