

SWISSMEX®



SW503

Lightweight Plastic Knapsack Sprayer

- By combining a piston with a protective diaphragm, this patented high-pressure version of the best-selling 501 piston knapsack is ideal for fungicides, glyphosate and similar compounds which depend on extra-fine droplets for best penetration and coverage.
- With pressures up to 12 bar it is the most versatile knapsack of them all.
- High-grade materials end all corrosion and reduce swelling, shrinking, warping or dissolving of gaskets to the max.
- An extra-large filler port reduces risk of spillage.
- Piston seepage re-enters the tank to provide a degree of liquid agitation.
- The solid screw-on lid has a carrying handle, a lance holder, and a vent valve to keep the operator from getting splashed on the neck and back.
- The pump handle folds up and away for safe transport and storage.
- The standard poly adjustable cone nozzle adjusts to variable spray patterns from a fine jet to a broad misting cloud. Or use any commercial nozzle tips you like.
- Very low maintenance.
- Priced very competitively
- Used and recommended by numerous City, Town and shire councils, landscape contractors, lawn contractors and land care groups.
- A vast range of accessories and upgrades for any spraying job in agriculture and horticulture.

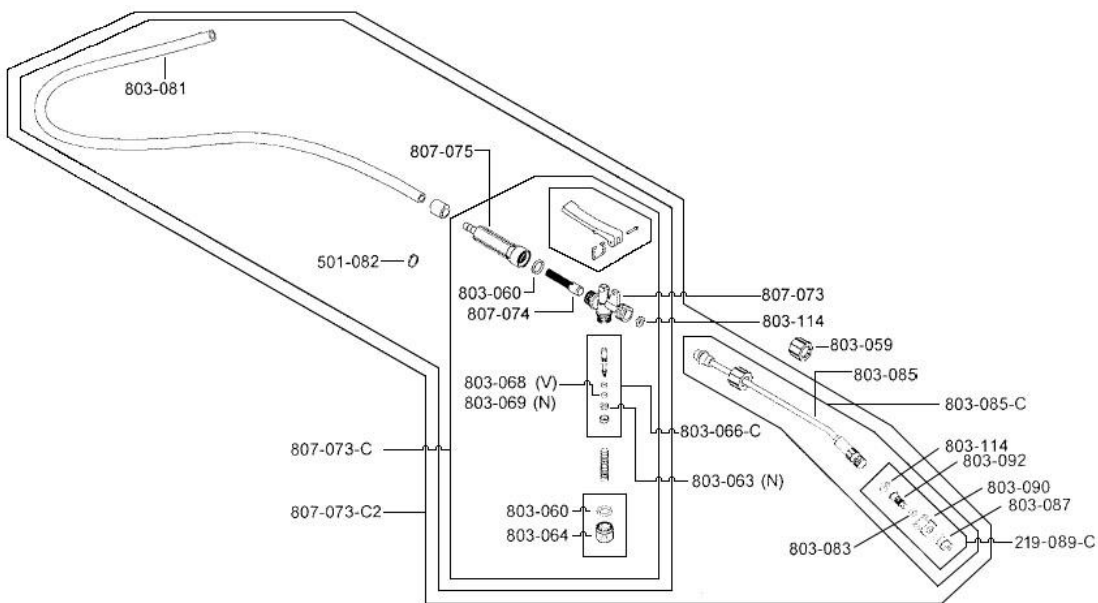
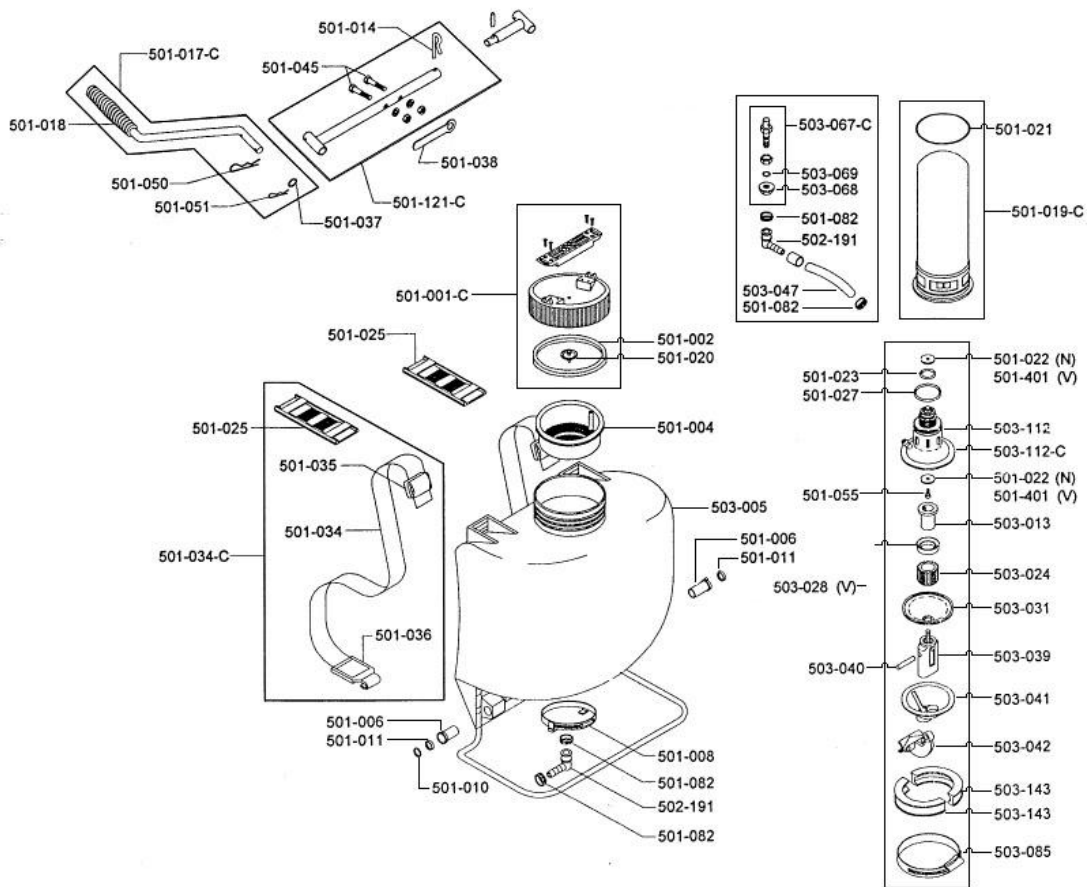


SPRAYMASTER
Spray Shop

Phone: 08 9353 1177 Fax: 08 9353 1175

Email: info@spraymaster.net.au

SWISSMEX®



SPRAYMASTER
Spray Shop

Phone: 08 9353 1177 Fax: 08 9353 1175

Email: info@spraymaster.net.au